



VP Series VAPOR TIGHT

PERFORMANCE:

| Model | Watt | Lumen | Efficacy |
|-------|------|---------|------------|
| VP1 | 12W | 800 lm | 67 lm/watt |
| VP2 | 22W | 1400 lm | 64 lm/watt |

SPECIFICATION:

Input voltage: 120-277VAC

LED: Seoul Semi or equivalent

Color Temp: 4000K

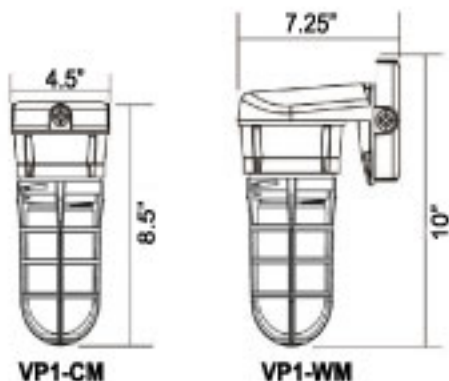
Lens: Heat and shock-resistant frosted glass (PC available)

Housing: Die-cast aluminum body

Finish: Durable polyester powder-coat

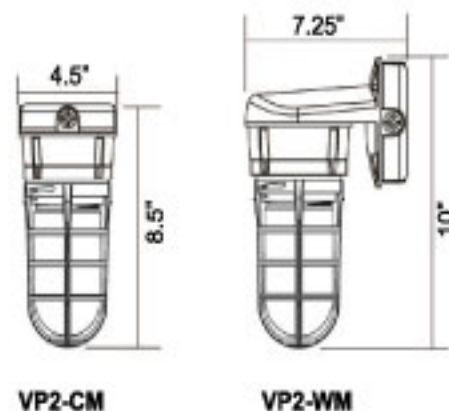
Surge Protection Device: 4KV

Mounting Option: Ceiling and wall mount



VP1-CM

VP1-WM



VP2-CM

VP2-WM



Ascent Technologies
5625 S. Arville St. Suite A.
Las Vegas, NV 89118
www.ascent-technologies.com
ContactMail@ascent-technologies.com

IP65

