

LumaView

LED WALL PACK



47W
WATTAGE



5,700 lm
LUMENS



4000K
COLOR TEMP



MULTI-VOLT
120-277V



LV-WP52-40K-MV

47W LED WALL PACK
MULTI-VOLT (120-277V)

The LumaView LV-WP52-40K-MV LED Wall Pack delivers powerful, energy-efficient illumination ideal for building exteriors, entryways, garages, and perimeter lighting. With a durable die-cast aluminum housing and modern low-profile design, this fixture provides long-lasting performance in any environment.

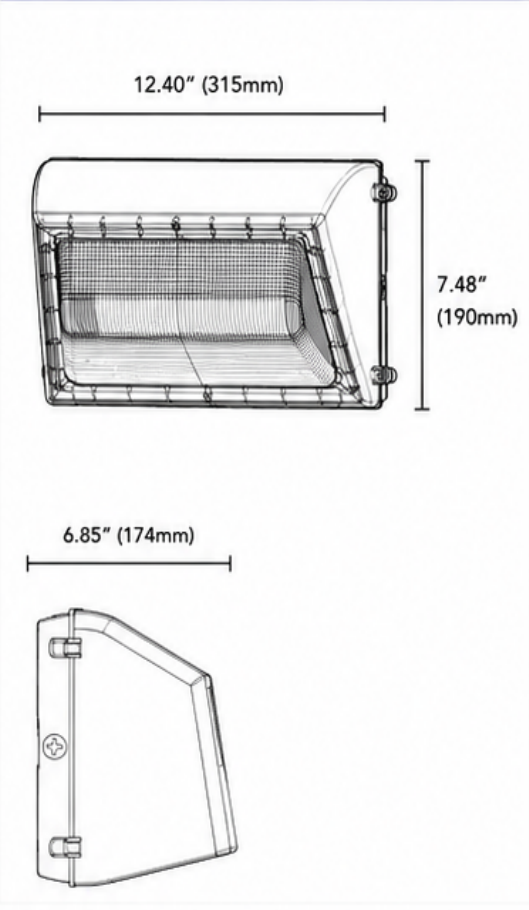
KEY FEATURES & BENEFITS

- BRIGHT, ENERGY-EFFICIENT LIGHTING**
Delivers high-performance illumination using 47W of power for maximum visibility.
- DURABLE CONSTRUCTION**
Die-cast aluminum housing with a powder-coat finish for superior durability and weather resistance.
- BUILT TO PERFORM**
Engineered to withstand harsh conditions with an IP65 wet location rating.
- MODERN, LOW-PROFILE DESIGN**
Sleek and compact design blends seamlessly with any exterior architecture.
- EASY INSTALLATION**
Multiple mounting points and a built-in knockout for quick and secure installation.
- VERSATILE APPLICATIONS**
Ideal for building exteriors, walkways, loading docks, garages, schools, and commercial facilities.

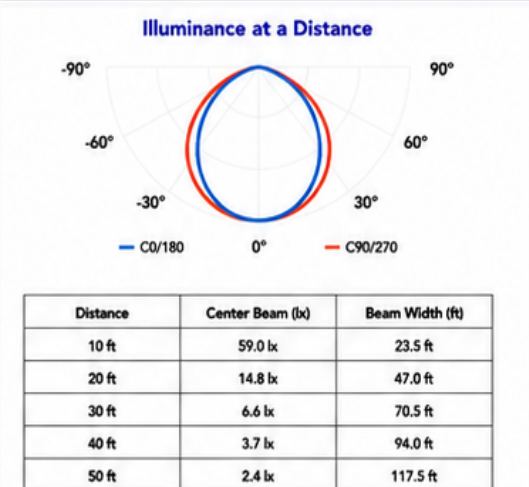
SPECIFICATIONS

Model	LV-WP52-40K-MV
Wattage	47W
Lumens	5,700 lm
Color Temperature	4000K (Neutral White)
Voltage	120-277V AC
Frequency	50/60Hz
Efficacy	121 lm/W
CRI	≥80
Beam Angle	110°
Dimming	0-10V Dimmable
Power Factor	≥0.9
THD	<20%
Surge Protection	4KV
Operating Temperature	-40°F to 113°F (-40°C to 45°C)
Housing Material	Die-Cast Aluminum
Housing Color	Bronze
Lens Material	Polycarbonate
IP Rating	IP65 Wet Location Rated
Impact Rating	IK08
Mounting	Wall Mount
Weight	6.6 lbs (3.0 kg)
Lifespan	50,000+ Hours
Warranty	5 Year Limited Warranty
Certifications	UL Listed, DLC Listed
Applications	Building Exteriors, Entryways, Walkways, Garages, Loading Docks, Schools, Commercial Facilities

DIMENSIONS



PHOTOMETRICS



Beam Angle: 110°

IDEAL APPLICATIONS



CERTIFICATIONS



BUILT TO PERFORM. BUILT TO LAST.

The LumaView LV-WP52-40K-MV LED Wall Pack is engineered for reliability, efficiency, and long-term performance in any outdoor environment.

