

# LumaView®

LED FLOOD LIGHT



## LV-FL28Y-40K-MV

138W LED FLOOD LIGHT

The LumaView LV-FL28Y-40K-MV LED Flood Light delivers powerful, energy-efficient illumination in a compact, durable design. Ideal for security lighting, landscapes, building facades, signage, and general outdoor applications, this fixture provides bright, even light with long-lasting performance.

### KEY FEATURES & BENEFITS



**BRIGHT, ENERGY-EFFICIENT LIGHTING**  
Delivers high-performance illumination while using only 138W of power.



**DURABLE OUTDOOR CONSTRUCTION**  
Die-cast aluminum housing with a weather-resistant finish designed for long-term outdoor use.



**ADJUSTABLE YOKE MOUNT**  
Sturdy yoke mounting bracket allows for easy installation and precise aiming.



**LONG-LASTING PERFORMANCE**  
Built with high-quality LEDs for 50,000+ hours of maintenance-free operation.



**LOW MAINTENANCE**  
Reliable solid-state design eliminates frequent bulb replacements and upkeep.



**VERSATILE APPLICATIONS**  
Perfect for security lighting, landscapes, signage, building facades, parking lots, and more.



**138W**  
WATTAGE



**19,417 lm**  
LUMENS



**4000K**  
COLOR TEMP

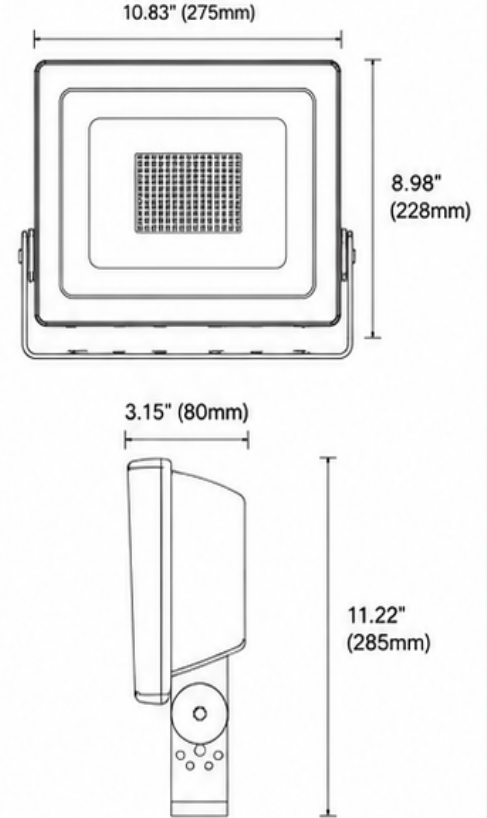


**YOKE**  
MOUNT

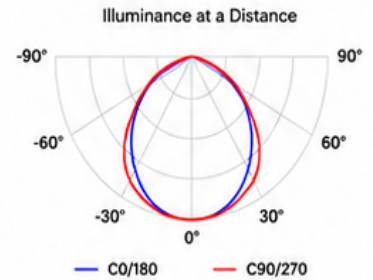
### SPECIFICATIONS

Model	LV-FL28Y-40K-MV
Wattage	138W
Lumens	19,417 lm
Color Temperature	4000K (Neutral White)
Voltage	120-277V AC
Frequency	50/60Hz
Efficacy	141 lm/W
CRI	≥80
Beam Angle	60°
Mount Type	Yoke Mount
Dimming	Non-Dimmable
Surge Protection	4KV
Operating Temperature	-40°F to 113°F (-40°C to 45°C)
Housing Material	Die-Cast Aluminum
Housing Color	Bronze
Lens Material	Tempered Glass
IP Rating	IP65 Wet Location Rated
Impact Rating	IK08
Power Factor	≥0.9
THD	<20%
Lifespan	50,000+ Hours
Warranty	5 Year Limited Warranty
Certifications	UL Listed, DLC Listed
Applications	Security Lighting, Landscaping, Building Facades, Signage, Parking Lots, General Outdoor Lighting

### DIMENSIONS



### PHOTOMETRICS



Distance	Center Beam (lx)	Beam Width (ft)
10 ft	165.0 lx	19.7 ft
20 ft	41.3 lx	39.4 ft
30 ft	18.3 lx	59.1 ft
40 ft	10.3 lx	78.7 ft
50 ft	6.6 lx	98.4 ft

Beam Angle: 60°

### IDEAL APPLICATIONS



Security Lighting



Landscapes



Building Facades



Signage



Parking Lots



General Outdoor Use

### CERTIFICATIONS



LISTED



LISTED



WET LOCATION

### BUILT TO PERFORM. BUILT TO LAST.

The LumaView LV-FL28Y-40K-MV LED Flood Light is engineered for reliability, efficiency, and long-term performance in any outdoor environment.

