



24W
WATTAGE



3,000 lm
LUMENS



4000K
COLOR TEMP



YOKE
MOUNT



FL2-40K

24W LED FLOOD LIGHT

The LumaView FL2-40K LED Flood Light delivers reliable, energy-efficient illumination in a compact, durable design. Ideal for security lighting, landscapes, building facades, signage, and general outdoor applications, this fixture provides bright, even light with long-lasting performance.

KEY FEATURES & BENEFITS



BRIGHT, ENERGY-EFFICIENT LIGHTING

Delivers high-performance illumination while using only 24W of power.



DURABLE OUTDOOR CONSTRUCTION

Die-cast aluminum housing with a weather-resistant finish designed for long-term outdoor use.



ADJUSTABLE YOKE MOUNT

Sturdy yoke mounting bracket allows for easy installation and precise aiming.



LONG-LASTING PERFORMANCE

Built with high-quality LEDs for 50,000+ hours of maintenance-free operation.



LOW MAINTENANCE

Reliable solid-state design eliminates frequent bulb replacements and upkeep.



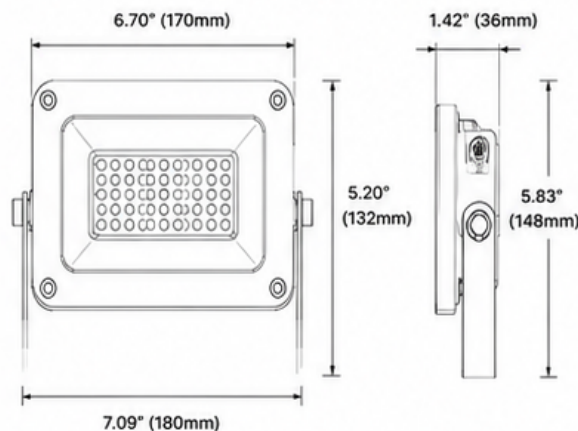
VERSATILE APPLICATIONS

Perfect for security lighting, landscapes, signage, building facades, parking lots, and more.

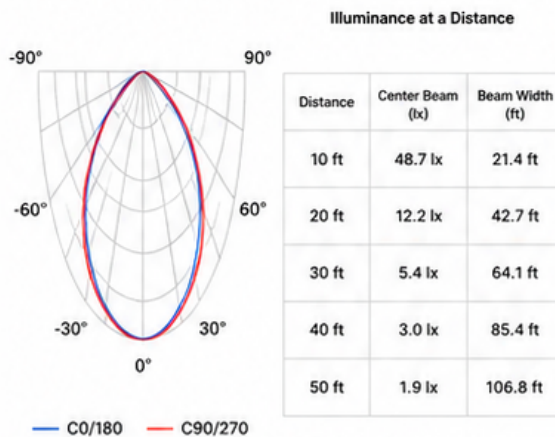
SPECIFICATIONS

Model	FL2-40K
Wattage	24W
Lumens	3,000 lm
Color Temperature	4000K (Neutral White)
Voltage	120-277V AC
Frequency	50/60Hz
Efficacy	125 lm/W
CRI	≥80
Beam Angle	110°
Mount Type	Yoke Mount (Adjustable)
Dimming	Non-Dimmable
Operating Temperature	-40°F to 113°F (-40°C to 45°C)
Housing Material	Die-Cast Aluminum
Housing Color	Bronze
Lens Material	Tempered Glass
IP Rating	IP65 Wet Location Rated
Impact Rating	IK08
Power Factor	≥0.9
THD	<20%
Lifespan	50,000+ Hours
Warranty	5 Year Limited Warranty
Certifications	UL Listed, DLC Listed
Applications	Security Lighting, Landscaping, Building Facades, Signage, Parking Lots, General Outdoor Lighting

DIMENSIONS



PHOTOMETRICS

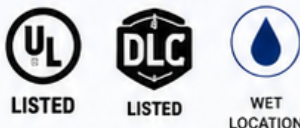


Beam Angle: 110°

IDEAL APPLICATIONS



CERTIFICATIONS



BUILT TO PERFORM. BUILT TO LAST.

The LumaView FL2-40K LED Flood Light is engineered for reliability, efficiency, and long-term performance in any outdoor environment.

